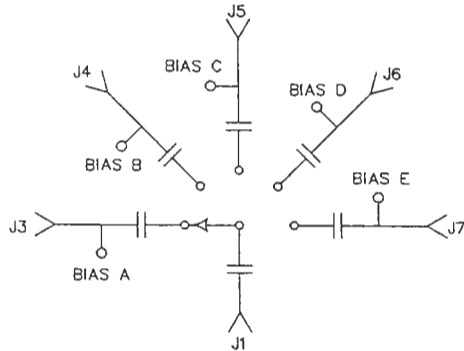


## DESCRIPTION

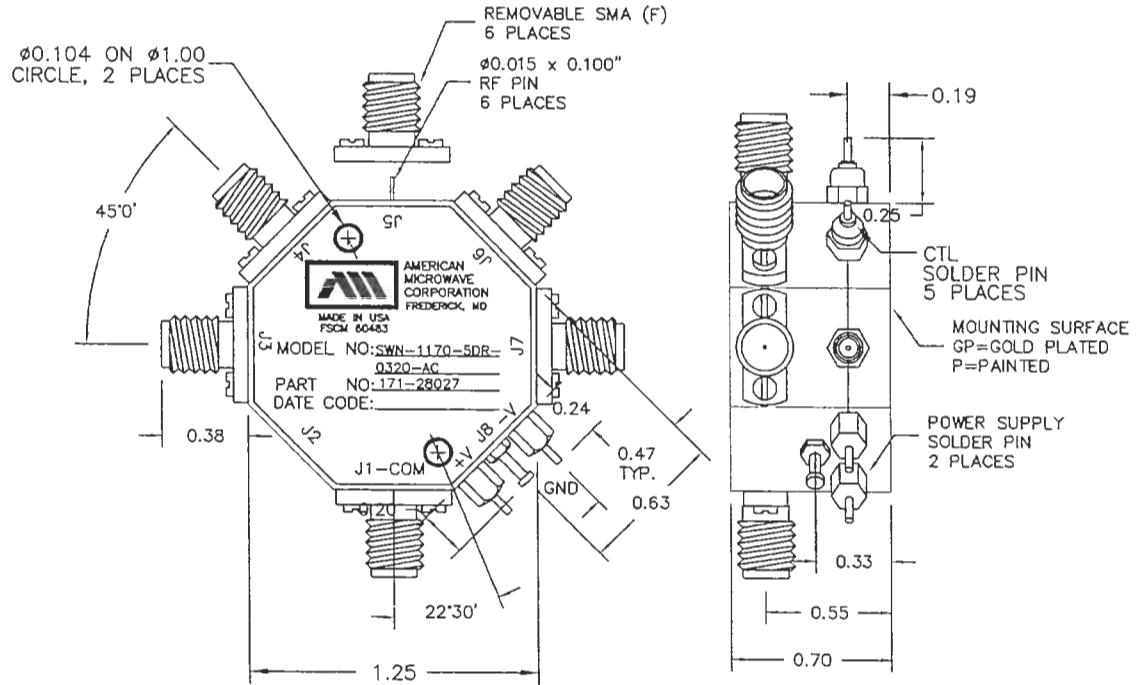
AMC MODEL SWN-1170-5DR-0320-AC IS A SINGLE POLE FIVE THROW SWITCH DESIGNED TO OPERATE OVER THE 300 MHz TO 20 GHz FREQUENCY RANGE WITH AN ISOLATION OF 40 dB MINIMUM AND VSWR OF 2.0:1.

## SPECIFICATIONS:

- FREQUENCY: 300 MHz-20 GHz
- INSERTION LOSS:
  - 300 MHz-4.0 GHz: 2.0 dB MAX
  - 4.0 GHz-8.0 GHz: 2.0 dB MAX
  - 8.0 GHz-14.0 GHz: 2.5 dB MAX
  - 14.0 GHz-18.0 GHz: 3.0 dB MAX
  - 18.0 GHz-20.0 GHz: 3.5 dB MAX
- ISOLATION: 40 dB MIN
- VSWR: 2.0:1
- SPEED:
  - DELAY ON: 50 ns
  - DELAY OFF: 50 ns
- IMPEDENCE: 50 OHM
- INPUT POWER: FOR 1 dB COMPRESSION, +17 dBm MIN
- CONTROL VOLTAGES: AVAILABLE: +15V, +5V, -6V, -12V
- HARMONIC GENERATION: -60 dBc MAX @ -17 dBm INPUT POWER
- CONTROL: TTL LOGIC "1"=ON "0"=OFF
- POWER SUPPLY:
  - +5V @ 250 mA MAX.
  - 12V @ 75 mA MAX.



REVISIONS				
ZONE	REV.	DESCRIPTION	DATE	APPROVED
	-	ORIGINAL RELEASE JOB# 401011	1/30/04	
	A	SEE ECN# 04-100	5/26/04	



## ENVIRONMENTAL RATINGS

- TEMPERATURE: -55°C TO +85°C (OPERATING)  
-65°C TO +125°C (STORAGE)
- HUMIDITY: MIL-STD-202F, METHOD 103B COND. B
- SHOCK: MIL-STD-202F, METHOD 213B COND. B
- VIBRATION: MIL-STD-202F, METHOD 204D COND. B
- ALTITUDE: MIL-STD-202F, METHOD 105C COND. B
- TEMPERATURE CYCLE: MIL-STD-202F, METHOD 107D COND. A

NOTE: SPECIFICATIONS WILL VARY OVER OPERATING TEMPERATURE  
NOTE: THE ABOVE SPECIFICATIONS ARE SUBJECT TO CHANGE OR REVISION

ALL DIMENSIONS ARE IN INCHES  
TOLERANCES:  
X.XX ±0.020  
X.XXX ±0.010

## AMERICAN MICROWAVE CORPORATION

7311-G GROVE ROAD  
FREDERICK, MARYLAND 21704 USA  
TEL: 301-662-4700 FAX: 301-662-4938  
WEBSITE: [www.americamicrowavecorp.com](http://www.americamicrowavecorp.com)  
E-MAIL: [sales@americamicrowavecorp.com](mailto:sales@americamicrowavecorp.com)  
ISO 9001:2000 CERTIFIED



APPROVALS		DATE	TITLE		
DRAWN	<i>FDJ</i>	1/30/04	PRODUCT FEATURE		
REDRAWN	<i>FDJ</i>	8/17/04	SWN-1170-5DR-0320-AC		
ISSUED	<i>LN</i>	9/2/04	30 MHz TO 20 GHz SINGLE POLE FIVE THROW SWITCH		
			SIZE	FSCM NO.	DWG NO.
			A	60483	100-6921
			SCALE	N:S	SHEET 1 OF 3